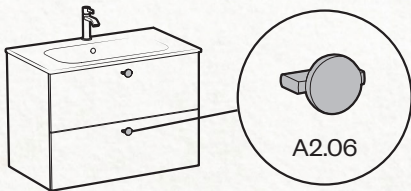
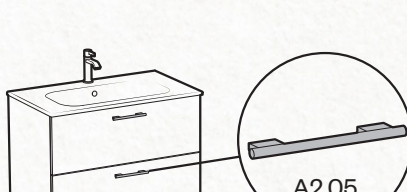
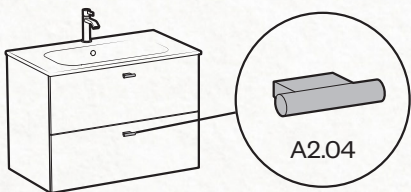
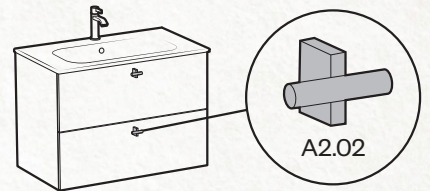
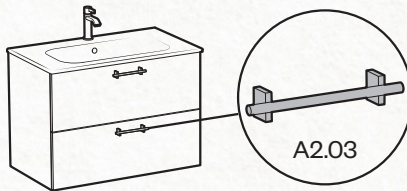
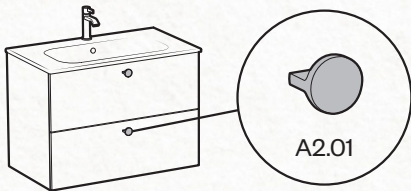
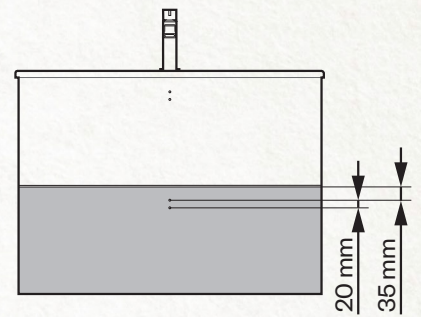
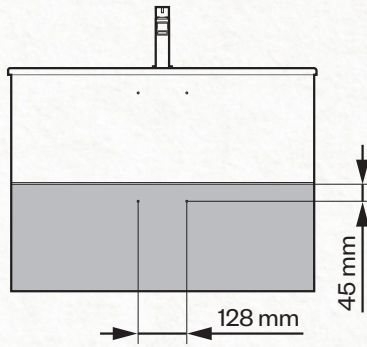
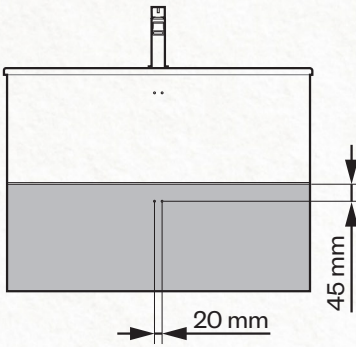
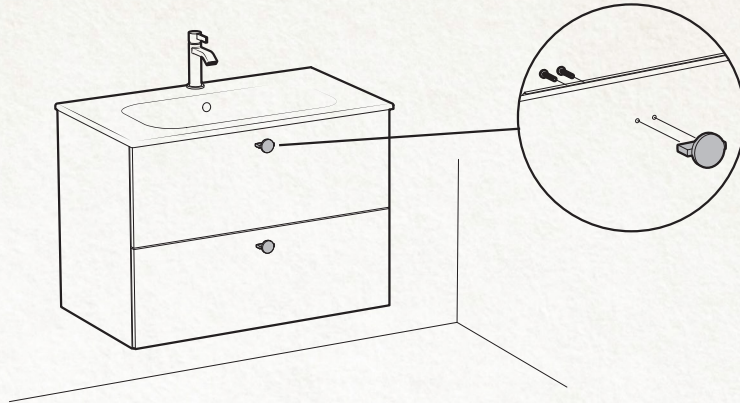
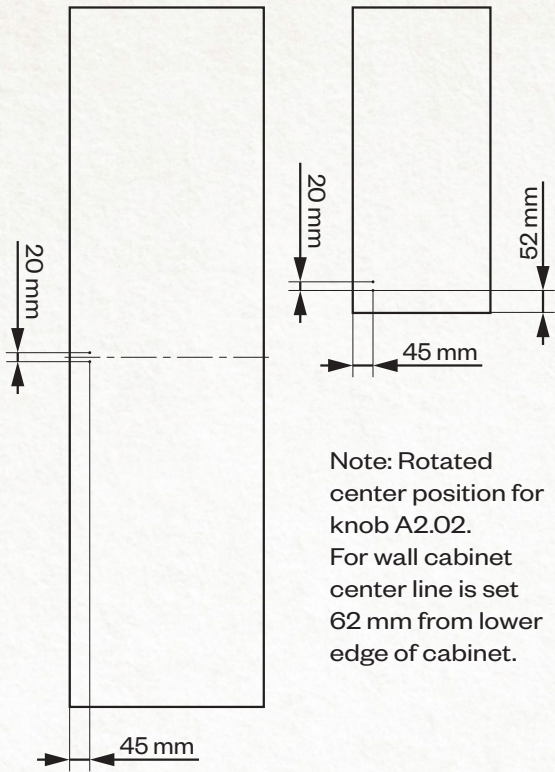


# MOUNTING OF HANDLES AND KNOBS WASHSTAND





# MOUNTING OF HANDLES AND KNOBS CABINET



Note: Rotated center position for knob A2.02.  
For wall cabinet center line is set 62 mm from lower edge of cabinet.

